

SURELL®



BY


FORMICA
GROUP

FORMICA® SURELL® ACRYLIC

SEAMLESS NONPOROUS SURFACES by Formica Group

As tough as it is beautiful, Formica® Surell® Acrylic shapes itself to virtually any design concept, offering a palette of modern colors in every mood. Plus, color and design go all the way through to allow endless design and shape options, including edgings, accents and inlay. The durable, non-porous surface is ideal for a worktable or custom bar top, as well as sinks and shower surrounds.

FORMICA®



What is Formica[®] Surell[®] Acrylic

Surell[®] Acrylic is made with

- Acrylic Polymer (MMA)
- Alumina Trihydrate (ATH)
- Pigment



Marble™ Collection

The Marble™ Collection has the appearance of stunning natural stones, with its dimensional large scale movement and pattern.



SH01
Onyx Cloud



SH04
Shell



SH05
Starry Gold



SH07
Bianco



SH08
Limestone



SH09
White Agate



SH16
Hazelnut



SH17
Reefy



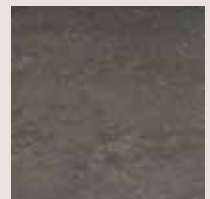
SH20
Galaxy Rock



SH21
Cloud Forest



SH24
Pearl Ore



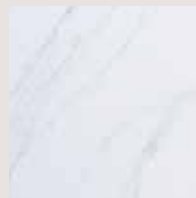
SH25
Earthen



SH27
Mars



SH29
Carbon Ash



SH46
Calacatta White



SH86
Carrara Nuvo

When making a final decision on Formica® Surell® Acrylic, please view the color on an actual product.





Contemporary Collection

Our finest surfaces offer an array of upscale looks soft neutral to dazzling colors.



SC02
Coral Sands



SC04
Frozen



SC09
Snow



SC10
Yogurt



SC11
Storm Grey



SC18
Sandstone



SC19
Starlight



SC23
Frost Pearl



SC24
Silver Fox



SC26
Clay Ash



SC27
Shell Sand



SC29
Galaxy Ore



SC52
Ocean

When making a final decision on Formica® Surell® Acrylic, please view the color on an actual product.

Transparent Collection

Inspired by both man-made and natural materials, these luxuriously smooth surfaces offer an extraordinary clarity and depth of pattern and color.



SP11
Neo Silver



SP18
Polar White



SP21
Neutral Grey



SP31
Ice Quartz



SP34
Grey Quartz



When making a final decision on Formica® Surell® Acrylic, please view the color on an actual product.

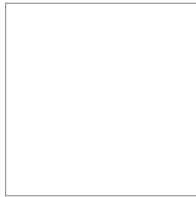


Solid/Designer Collection

Versatile neutrals are economical and stylish for counters, walls or window sills.



SD03
Orange



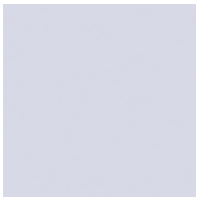
SB04
Pure White



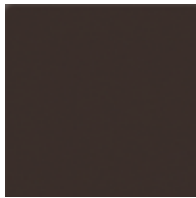
SB05
Pure Black



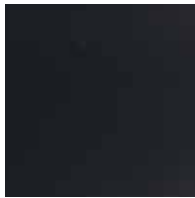
SD09
Carbon Grey



SB10
Light Ash



SD11
Espresso



SB13
Iron Ore



SB19
Glacier White



When making a final decision on Formica® Surell® Acrylic, please view the color on an actual product.



Over One Century Manufacturer

Use & Care Guide

SURELL® Acrylic material will give you years of service and enjoyment with some simple care and precautions.





- **TO KEEP CLEAN AND REMOVE SIMPLE STAINS:**

Use a damp cloth and any household detergent to maintain a fresh and clean look.

- **TO REMOVE STUBBORN STAINS, HARD WATER DEPOSITS, CIGARETTE BURNS AND MINOR SCRATCHES ON MATTE-FINISH MATERIALS :**

Use an abrasive cleanser or an abrasive scrub sponge such as 3M Scotch-Brite brand green/yellow kitchen scrub sponge or the equivalent maroon industrial pad(3M Scotch-Brite brand #7447).

- **TO REMOVE DEEP STAINS AND SCRATCHES:**

Use fine sandpaper and then finish as mentioned above.

- **TO RESTORE POLISHED SURFACES:**

Special skills and equipment are required to restore polished finishes. Consult your fabricator or dealer for assistance.

Caution: All finishes other than matte require special finishing techniques.

- **TO RESTORE SEVERE DAMAGE:**

Special skills and equipment are required to repair damaged sections. Consult your fabricator or dealer for assistance.



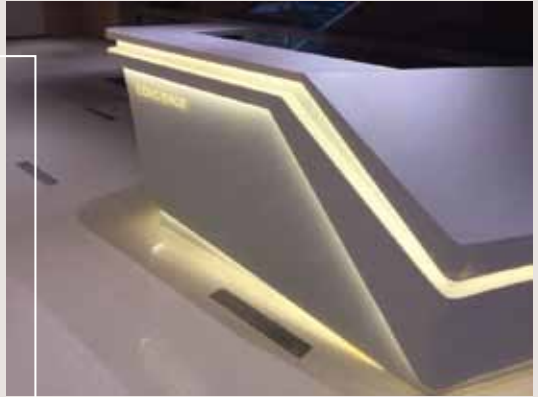
Job Reference



Kitchen Top







Commercial



Hospitality

Restaurant





Surell® Acrylic Description

1 BASIC USES

Formica® Surell® Acrylic is manufactured for interior applications where a decorative, durable, wear and stain resistant surface is required. Horizontal applications include vanity tops, countertops, residential and commercial furniture, window sills and thresholds. Vertical applications include wall panels, wainscoting, backsplashes, baseboards, and bath and shower enclosures.

2 PERFORMANCE

Formica® Surell® Acrylic has the unique quality where it can be thermoformed to various shapes that is necessary. The high flexibility goes beyond your imagination.

Formica® Surell® Acrylic is a high density with non-porous surface (low water absorption rate 0.04%) It is a hygienic surface and does not support the growth of the bacteria (ISO 22196) and fungi (ASTM G21-15). It does not require any specialist cleaning agent. Most of the stain and dirt can be easily wiped off with a damp cloth and ordinary soap. Stubborn stain should be handled by professional with 3M Scotch Brite pad#7447.

Formica® Surell® Acrylic can offer you a safe standard. It complies with international fire test and non-toxic test. It achieves class B of EN13501-1 and class 1 of ASTM E84-16. In addition, it passes the standard of smoke toxicity test DIN 5510-2.

In addition, Formica® Surell® Acrylic can fulfill a lot of international standard e.g. cleanability and stain resistance, ball impact resistance, boil water resistance, heat resistance. It is a durable, non-porous surface with inconspicuous seams which is ideal for a worktable, kitchen top, vanity top, custom bar top and whatever horizontal and vertical surface you need.

3 STANDARD SIZES AND THICKNESSES

Formica® Surell® Acrylic sheets are available in:

- Thicknesses of 12mm
- Width of 760mm
- Lengths of 3,680mm

Not all patterns are routinely stocked in all sizes and thickness. See your Formica® Surell® Acrylic distributor or representative for colors and sizes available from stock.

4 INSTALLATION

Formica® Surell® Acrylic® products are intended for installation by professional fabricator. Your Formica® Surell® Acrylic distributor or representative can provide names of fabricators in your area. The Formica® Surell® Acrylic Fabrication Guide provides detailed instructions for the fabrication of sheets and bowls. Design and fabrication of Artifacts differs from traditional solid surfacing. In order to enhance the look of your designs, consult the Artifacts Technical Brief prior to specification or fabrication.

Adhesives: Color-coordinated Formica® Surell® Acrylic is recommended for making countertop seams and for joining bowls to tops. When applied according to directions, Formica® Surell® Acrylic Seam Adhesive provides an inconspicuous seam. Note: When contrasting top and bowl are joined, it is recommended that the seam adhesive color should be matched to the bowl colors.

Formica® Surell® Acrylic may be installed over vertical substrates including gypsum board, ceramic tile, plywood, and plaster. See Formica® Surell® Acrylic Fabrication Guide for recommended bonding technique.

5 MAINTENANCE

Formica® Surell® Acrylic sheets and sinks/bowls may be cleaned with a damp cloth and ordinary soap, household liquid detergent, household chlorine bleach, or a powdered cleanser. Strong acid or alkaline drain cleaners and oven cleaners will damage the surface.

Stubborn stains or unusual damage can be repaired with 3M Scotch Brite pad#7447 or 320-360 grit sandpaper. Severe damage can often be repaired by sanding with 120 grit sandpaper and then following with 220 grit papers. For matte finish, follow sanding with a 3M Scotch Brite pad#7447 (or equivalent) to match gloss level of sanded area to the surrounding area. Plastic or counter cleaner polishes will enhance the appearance.

6 PRECAUTIONS

Heat: Do not place high temperature objects (e.g. Teapot) or heat-generating appliances directly on the Formica® Surell® Acrylic product. Hot cookware and heat generating appliances can damage the countertop surface. The use of a trivet or other insulating pad is recommended.

Cutting: Avoid cutting on your Formica® Surell® Acrylic top. Under excessive or abusive usage conditions, Formica® Solid Surfacing - Surell® Acrylic material will show cut marks. The use of a cutting board is recommended.

Stains: While Formica® Surell® Acrylic is resistant to most common household chemicals, some strong acid or alkaline cleaners and cleansers can mar or permanently discolor Formica® Surell® Acrylic if allowed to remain on the surface for an extended period. Accidental spills or splatters from hash materials should be wiped off immediately and then rinsed with water. Potentially harmful compositions include: toilet bowl cleaners, drain cleaners, rust removers, contact adhesive solvent, ceramic cooktop cleaners, oven cleaners, paint or varnish removers, lacquer thinners, metal cleaners.

7 LIMITATIONS

Formica® Surell® Acrylic sheets should not be used in exterior applications. Do not use in areas exposed to sustained temperatures in excess of 175°F (79°C). Unsupported horizontal overhangs should be limited to 6" for 1/2" material and 12" for 3/4" material. Quarter-inch material is recommended for vertical applications only. Formica® Surell® Acrylic should not be used for structural applications or flooring. Care should always be taken to avoid trapping moisture behind Formica® Surell® Acrylic. Dark colored solid surface is recommended only for light duty applications such as residential vanities, custom furniture, signage, backsplashes, and accent strips. Wear and scratches will be more apparent on dark surfaces in heavy use applications, such as countertops and work surfaces. Dark colors will require more maintenance to retain a like-new appearance, especially on kitchen countertops, restaurant table tops/bars or other applications where heavy use may occur. Dry ice should not come in contact with Formica® Surell® Acrylic.

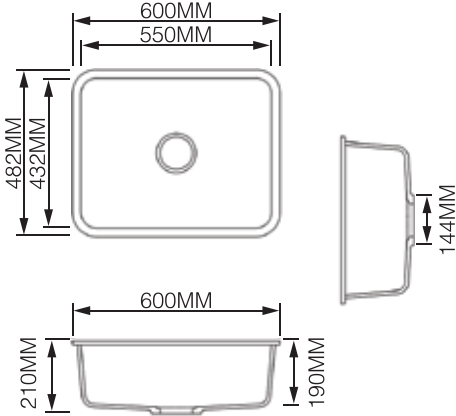
8 TECHNICAL SERVICE AND ASSISTANCE

Technical assistance may be obtained through the local Formica® Surell® Acrylic distributor or from Formica (Asia) Ltd trained representatives in sales offices throughout Hong Kong. Supporting information provided through our network of distributors includes a range of technical literature and a comprehensive fabrication guide. To assist these representatives, the company maintains a sales technical services staff in Hong Kong. For technical assistance, contact your distributor, sales representative, and email to the company directly info.hk@formica.com, or call (852) 2598 1000, fax (852) 2598 5603.

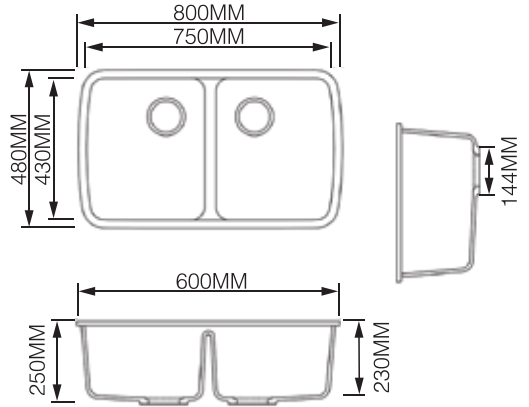
9 TRADEMARK AND COPYRIGHT INFORMATION

Formica® Surell® Acrylic material is processed by The Diller Corporation. Formica and Formica logo are registered trademarks of The Diller Corporation. 1-800FORMICA is a trademark of The Diller Corporation. Scotch-Brite® is a registered trademark of 3M Company. Manufacturer of this product is covered by one or both U.S. Patent Numbers 4,473,673 and 4,652,596 and by corresponding patents in other countries.

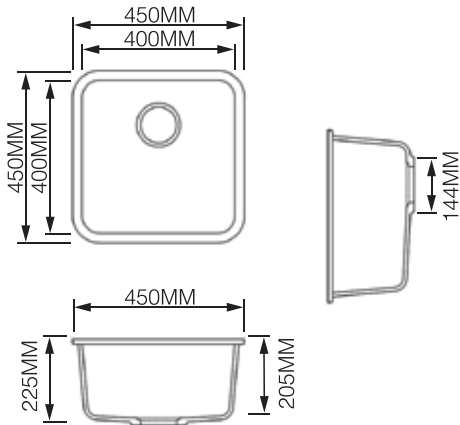
Kitchen Sink
JK103



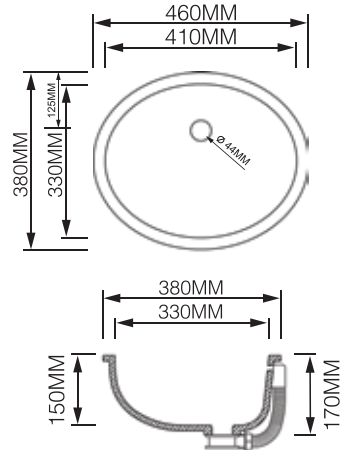
Kitchen Sink
JK201



Kitchen Sink
JK104



Lavatory Bowl
JK302



Formica® Surell® Acrylic Sinks and bowl can be mounted to Formica® Surell® Acrylic sheets to create a smooth integrated design or one with an overhang.

